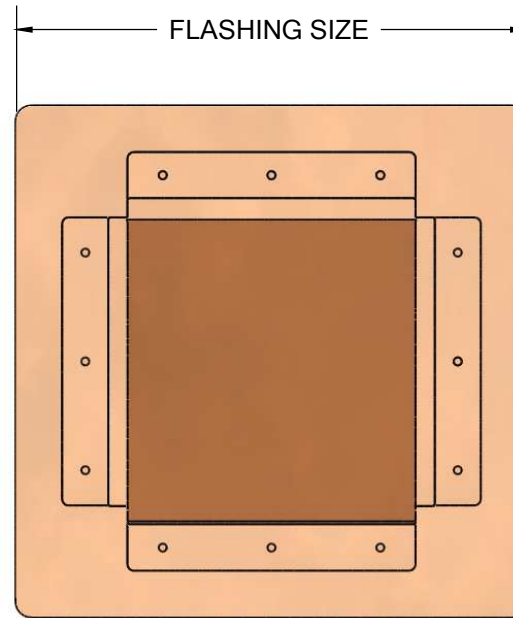
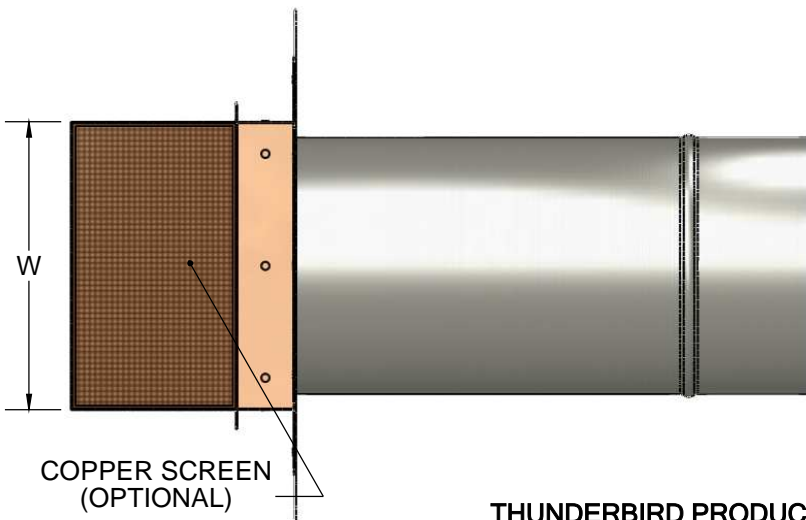
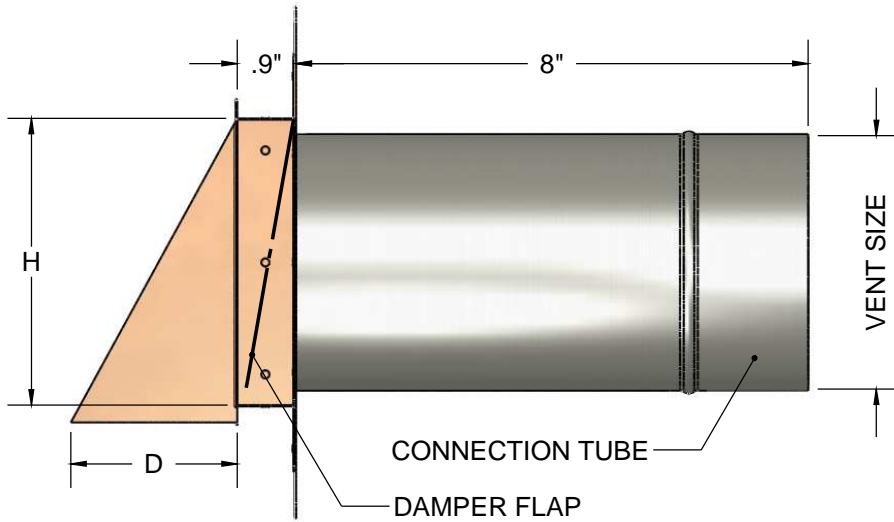
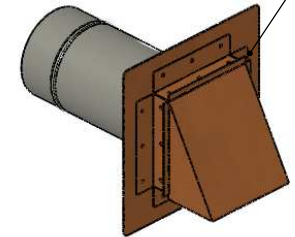


# DRYER VENT

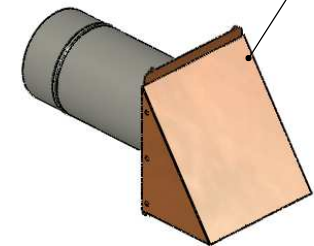
## STUCCO MOUNT



J-MOLD FOR STUCCO APPLICATION



ALSO AVAILABLE:  
FLUSH MOUNT FOR  
BRICK APPLICATION



<b>MATERIAL</b>	16 oz copper or stainless steel
-----------------	---------------------------------

PART #	VENT SIZE	W x H x D	FREE AREA	FLASHING SIZE
WDV4-J	4"	4.5" x 4.8" x 2.6"	12 in <sup>2</sup>	8" x 8"
WDV6-J	6"	6.7" x 6.7" x 3.7"	25 in <sup>2</sup>	13" x 13"
WDV8-J	8"	8" x 8.2" x 5.2"	42 in <sup>2</sup>	14" x 14"
WDV10-J	10"	11" x 11" x 5.5"	60 in <sup>2</sup>	15" x 15"
WDV12-J	12"	13" x 13" x 6.5"	84 in <sup>2</sup>	18" x 18"

**THUNDERBIRD PRODUCTS**  
 1148 North Marshall Ave.  
 El Cajon, CA 92020  
 Tel: (800) 658-2473  
 Fax: (619) 448-9072