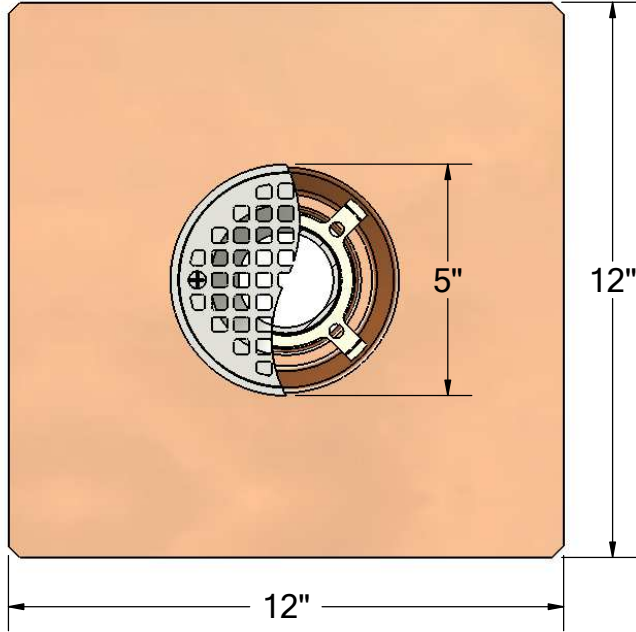




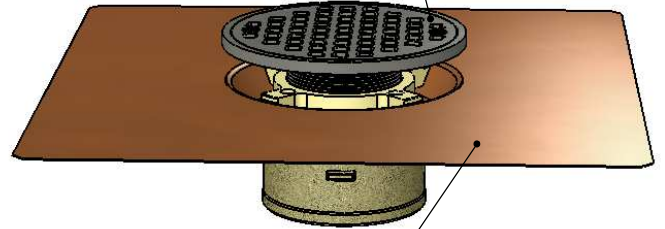
1895 Gillespie Way, El Cajon, CA 92020
 tel: (619) 448-3567
 fax: (619) 448-9072 tbirdusa.com

5" BOWL DECK DRAIN WITH ADJUSTABLE GRATE

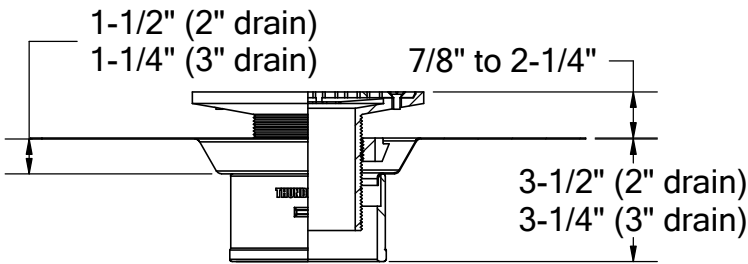
16 oz copper or 316 grade stainless flange. 5" adjustable square or round grate in nickel-bronze. Available in 2" and 3" outlet sizes.



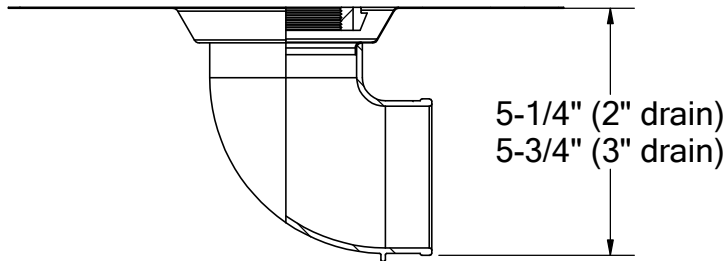
round grate, nickel-bronze, 5"
 5.88 in² free area



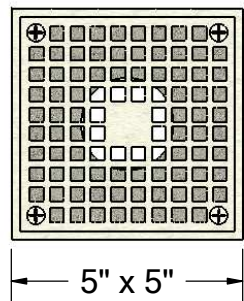
flashing attached to 2 or 3"
 bronze no-hub fitting



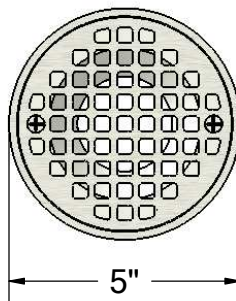
optional: -90



-SQ



-RN



PART #	
BD52A	2" no-hub
BD53A	3" no-hub
OPTIONS	
	16 oz copper flange
S-	316 stainless steel flange
-90	90° connection
-SQ	square grate, nickel-bronze, 5" x 5", 8.84 in ² free area
-RN	round grate, nickel-bronze, 5" 5.88 in ² free area

Data is subject to manufacturing tolerances.