



THUNDERBIRD PRODUCTS

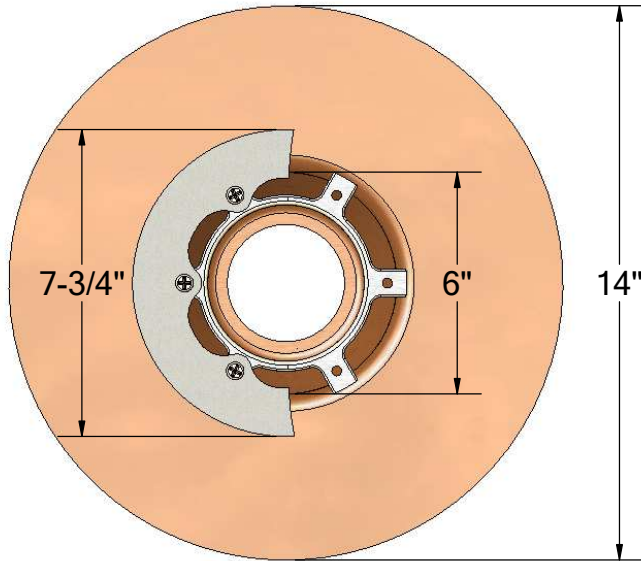
tel: (619) 448-3567
 fax: (619) 448-9072 tbirdusa.com

COMMERCIAL TILE DECK DRAIN

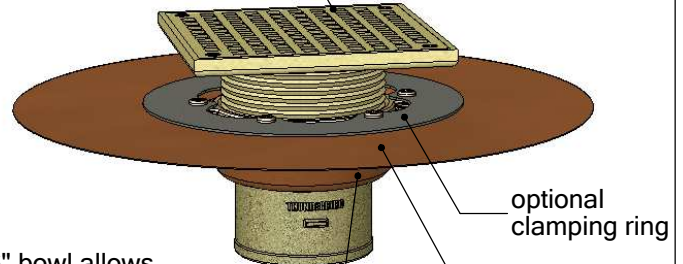
WITH ADJUSTABLE GRATE AND OPTIONAL CLAMPING RING



20 oz copper or stainless steel flange. 6" adjustable square or round brass grate. Polished chrome and oil-rubbed grate finishes available. Shown with optional clamping ring.

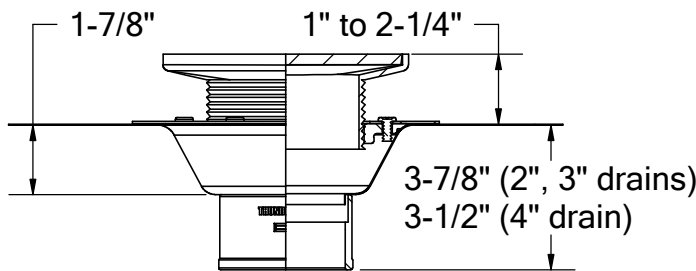


square 6" brass grate
 (round grate available)

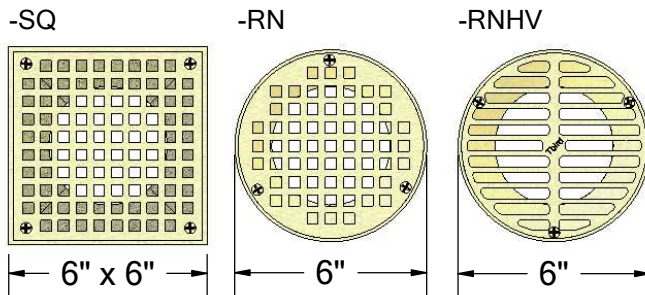
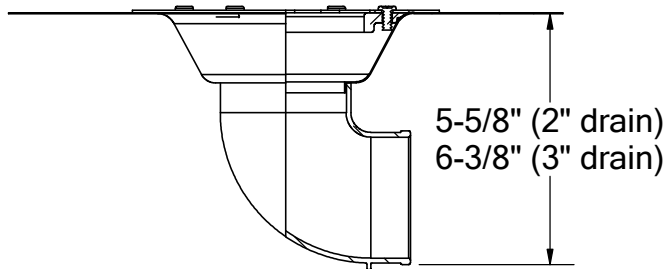


6" bowl allows weepage at waterproofing

flashing attached to 2", 3", or 4" bronze no-hub fitting



optional: -90



PART #	
BD62A	2" no-hub
BD63A	3" no-hub
BD64A	4" no-hub *
OPTIONS	
	20 oz copper flange
S-	stainless steel flange
-90	90° outlet connection
-CR	clamping ring, stainless
-SQ	square grate, brass, 6" x 6", 14.38 in ² free area
-RNHV	high volume round grate, 6", 14.15 in ² free area
-RN	round grate, brass, 6", 10.94 in ² free area *
GRATE FINISH	
-CG	polished chrome
-ORB	oil-rubbed bronze

Data is subject to manufacturing tolerances.

* excluded from ICC-ES listing