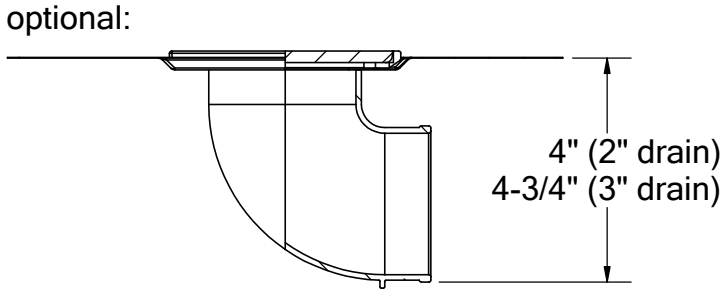
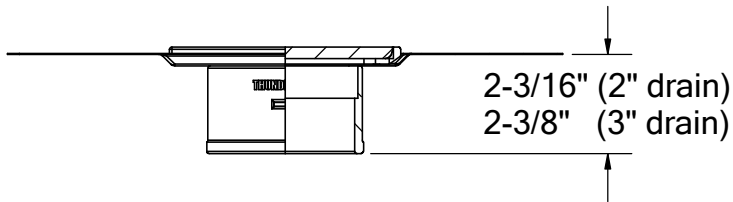
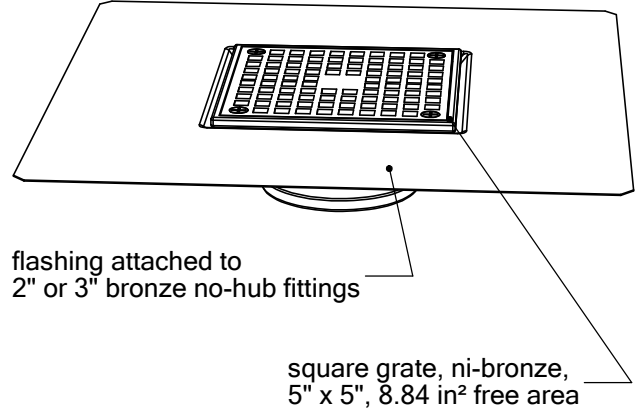
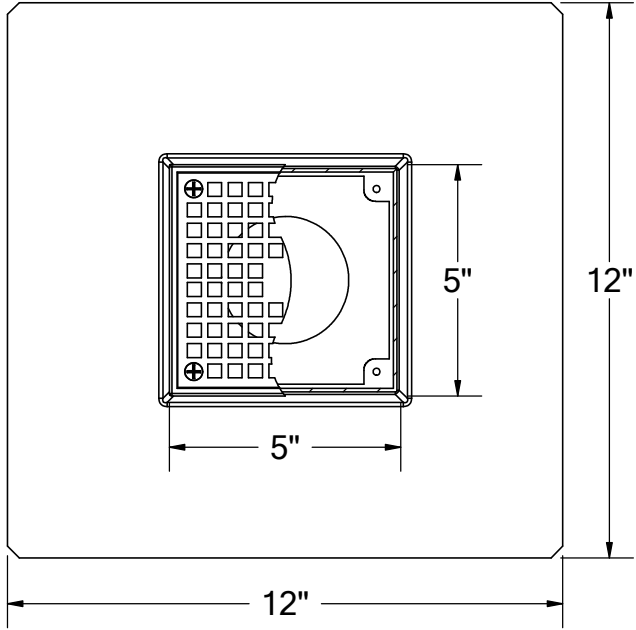




1895 Gillespie Way, El Cajon, CA 92020  
 tel: (619) 448-3567  
 fax: (619) 448-9072 tbirdusa.com

# SQUARE TOP BOWL DECK DRAIN

16 oz copper or 316 grade stainless steel flange. 5" square nickel-bronze grate. Available in 2" and 3" outlet.



PART #	
BDSQ2NH	2" no-hub
BDSQ3NH	3" no-hub
BDSQ3TA	3" male thread
OPTIONS	
	16 oz copper flange
S-	stainless steel flange
-90	90° connection
	square grate, ni-bronze, 5" x 5", 8.84 in² free area

Data is subject to manufacturing tolerances.