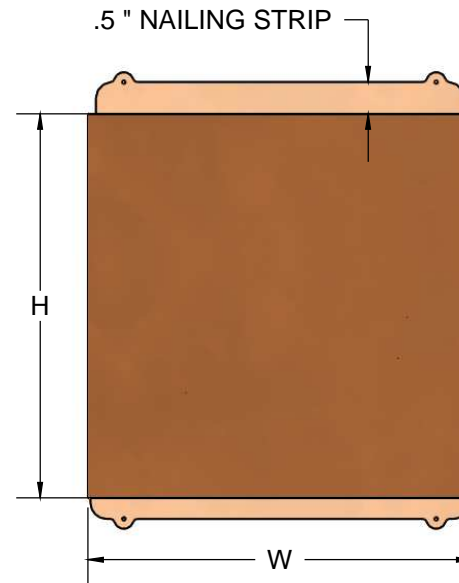
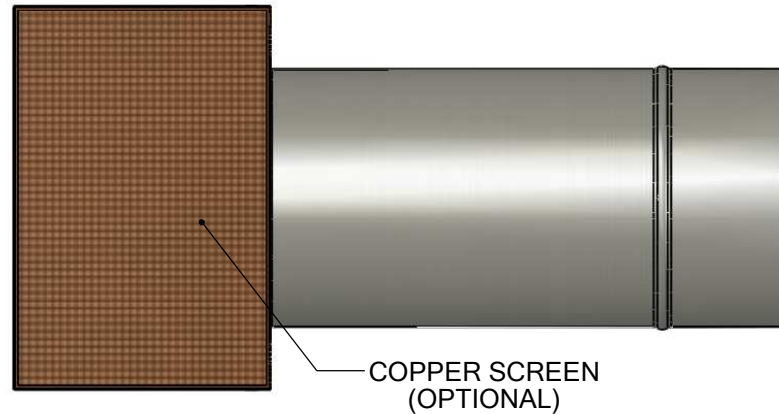
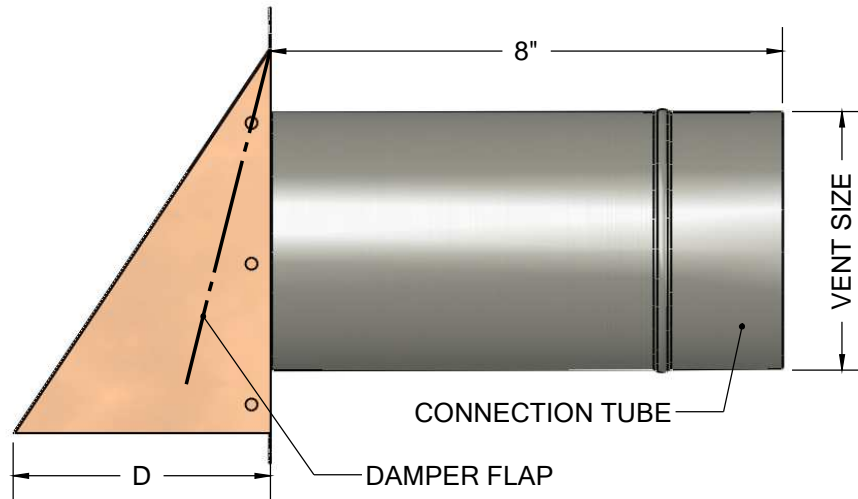
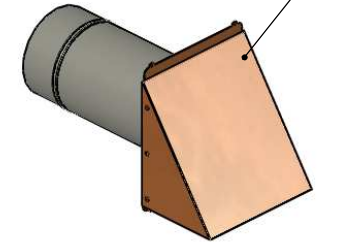


DRYER VENT

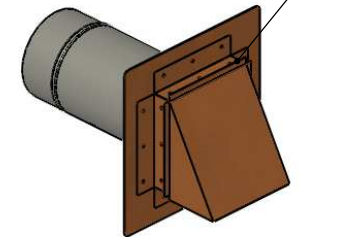
FLUSH MOUNT



FLUSH MOUNT FOR BRICK APPLICATION



ALSO AVAILABLE: J-MOLD FOR STUCCO APPLICATION



MATERIAL	16 oz copper or stainless steel
-----------------	---------------------------------

PART #	VENT SIZE	W x H x D	FREE AREA
WDV4-F	4"	6" x 6" x 4"	24 in ²
WDV6-F	6"	9.2" x 9.2" x 6.2"	57 in ²
WDV8-F	8"	10.2" x 10.2" x 7"	71 in ²
WDV10-F	10"	11.5" x 11.5" x 7.7"	88 in ²
WDV12-F	12"	14" x 14" x 9.2"	128 in ²

THUNDERBIRD PRODUCTS
 1895 Gillespie Way
 El Cajon, CA 92020
 Tel: (800) 658-2473
 Fax: (619) 448-9072